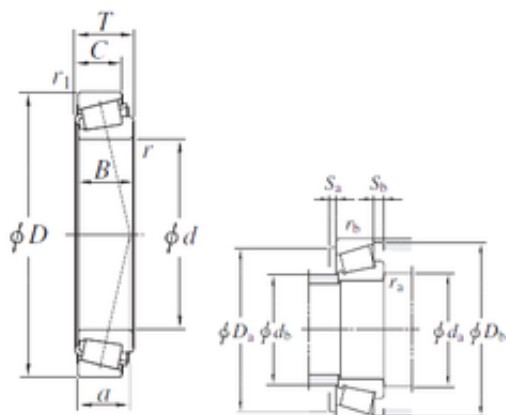




Genuine Pump Valve CO., LTD.

SKF Timken Koyo Roller Bearing 37425/37625 Set275 11704989 5010045250 957e4220 Wheel Bearing

Bearing No. 37425/37625



37425/37625 Bearing 2D drawings and 3D CAD models

Size	107.95x158.75x23.02 mm
Bore Diameter	107,95 mm
Outer Diameter	158,75 mm
Width	23,02 mm
d	107,95 mm
D	158,75 mm
T	23,02 mm
B	21,438 mm
C	15,875 mm
a	36,5 mm
r min.	3,6 mm
r1 min.	3,2 mm
r2 min.	3,2 mm
da min.	121 mm
Da min	141 mm
Da max.	147 mm
Da	143 mm
db max.	121 mm
db min	115 mm
ra max.	3,6 mm
rb max.	3,2 mm
Db	148 mm
Weight	1,38 Kg
Basic dynamic load rating (C)	104 kN



Genuine Pump Valve CO., LTD.

Basic static load rating (C0)	169 kN
(Grease) Lubrication Speed	2200 r/min
(Oil) Lubrication Speed	3000 r/min
Calculation factor (e)	0,61
Calculation factor (Y0)	0,54